

Instruction for Use

Trade Name: Cassette Tray

Contraindication/Prohibition

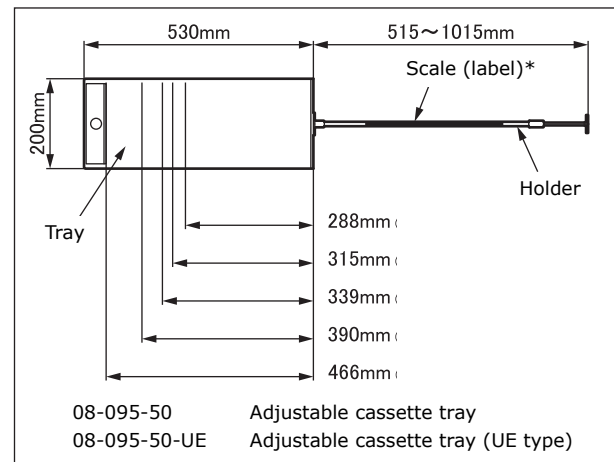
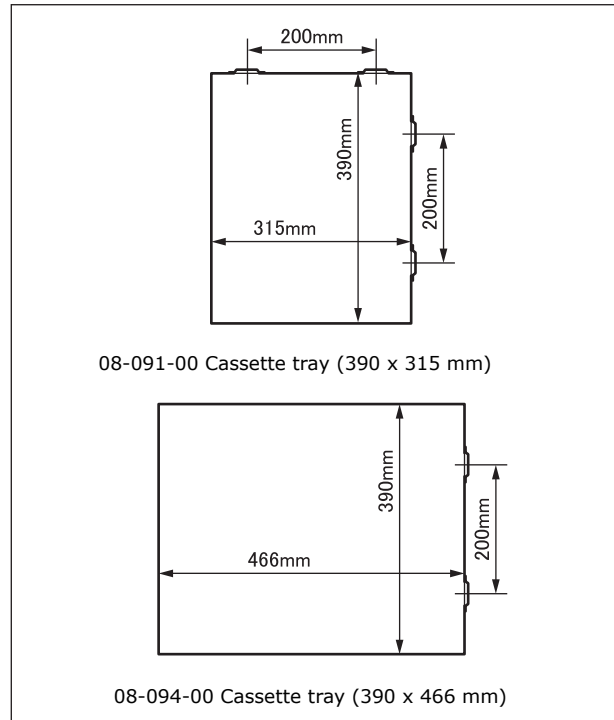
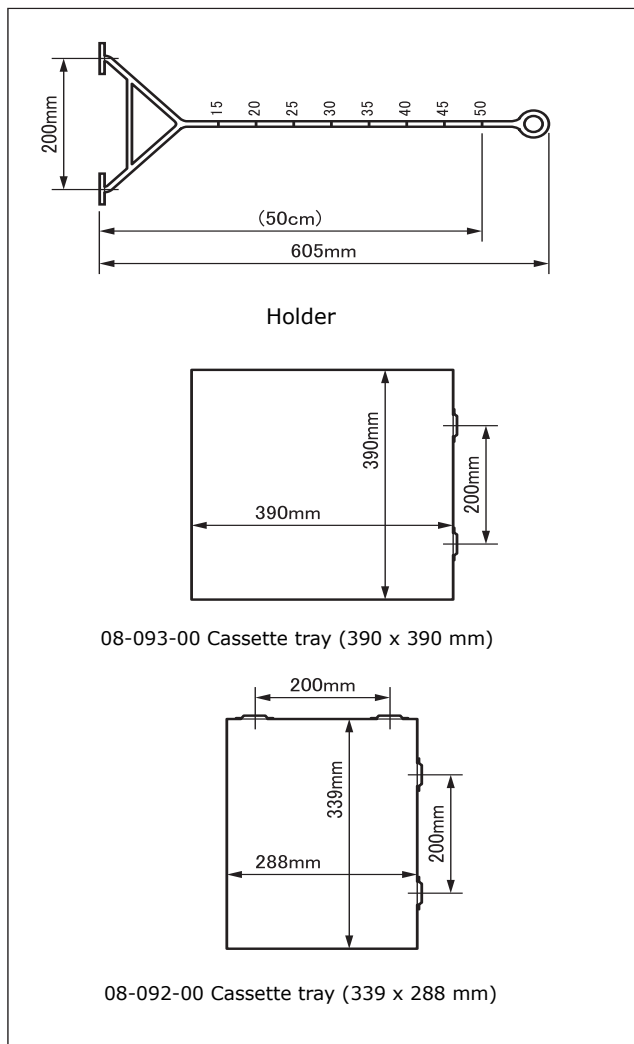
1. Do not articulate the operating table with Cassette Tray inserted. Doing so may result in the tray falling down and getting damaged.
2. Handle this product with care as it may get deformed or damaged. Rough handling may reduce the service life of this product as well as that of tools and appliances used in combination with it.
3. Use only appliances suitable for the intended use of this product. Incorrect use could cause breakage of this product as well as that of tools and appliances used in combination with it.

Symbol mark for labeling

MD : Medical Device

Specifications

1. Shape



Scale (label)* applies only to 08-095-50.

2. Weight

- ① Holder: 0.3kg
- ② Cassette tray

08-091-00: 1.1kg	08-092-00: 0.9kg
08-093-00: 1.4kg	08-094-00: 1.6kg
- ③ Adjustable cassette tray

08-095-50, 08-095-50-UE: 2.0kg

3. Material

Holder: Stainless steel rod
Cassette tray: Stainless steel plate
Tray of 08-095-50, 08-095-50-UE: Aluminum alloy plate

Code No.	Product Description
08-095-50	Adjustable cassette tray
08-095-50-UE	Adjustable cassette tray (UE)
08-091-00	Cassette tray (390 x 315 mm)
08-092-00	Cassette tray (339 x 288 mm)
08-093-00	Cassette tray (390 x 390 mm)
08-094-00	Cassette tray (390 x 466 mm)

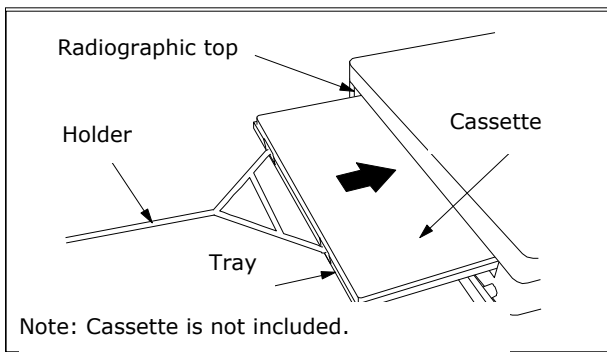
Intended purpose

This is an accessory to an operating table. This tool is used for holding X-ray radiographic cassettes on the tray and inserting them into the radiographic top attached of an operating table.

Intended user

This product is to be used by health care professionals, including but not limited to surgeons, nurses and biomedical technicians.

Instructions for use



1. Place a cassette on the tray.
2. Attach the holder to the hooks of the tray.
3. Insert the cassette tray below the radiographic top of an operating table.

Warning/Caution

Important caution

For hygiene, be sure to use sterilized drapes on the areas on this product where the patient comes into contact with it.

Storage/Life

1. Do not store the device in high temperatures or in areas with high humidity where the temperature has drastic variations.
2. Service life of this product: 7 years
(Subject to the specified maintenance and inspection and is stored properly.)

Maintenance/Inspection

<By the user>

1. Check that this product is not damaged or broken before and after each use.
2. Cleaning and disinfection
Wipe off blood, chemicals, contaminants, and other stains with water, and clean the device with gauze or other material moistened with alcohol to disinfect.
3. In case of a malfunction
When this product is broken, clearly label the device as "Broken", "Do not use", "Need repair", etc., and contact your local dealer or Mizuho.

<By agents>

Maintenance and inspection can only be carried out by certified agents of Mizuho.

Packing

Holder: 1 piece per pack

Tray: 1 piece per pack

Adjustable cassette tray: 1 piece per pack
(cassette tray with holder)

Warranty

MIZUHO Corporation will repair defective parts of this product without charge for one year from the date of delivery/installment except for cases of damage caused by a third party's repair, act of nature, improper use or intentional damage. All other warranty terms and conditions are subject to regulations of MIZUHO Corporation.

Disposal

This device must be disposed of in accordance with local regulations. Please contact your local distributor for proper disposal.

Notice

Any serious incident that has occurred in relation to the device should be reported to the manufacturer and the competent authority in which the user and/or patient is established.

Manufacturer



MIZUHO Corporation
3-30-13 Hongo, Bunkyo-ku, Tokyo 113-0033, Japan
<http://www.mizuho.co.jp>

European authorized representative



Emergo Europe B.V.
Prinsessegracht 20, 2514 AP, The Hague
The Netherlands